

Receiving Hopper RH ①

For intake of potatoes, carrots, onions, redbeets etc. from trucks and trailers.



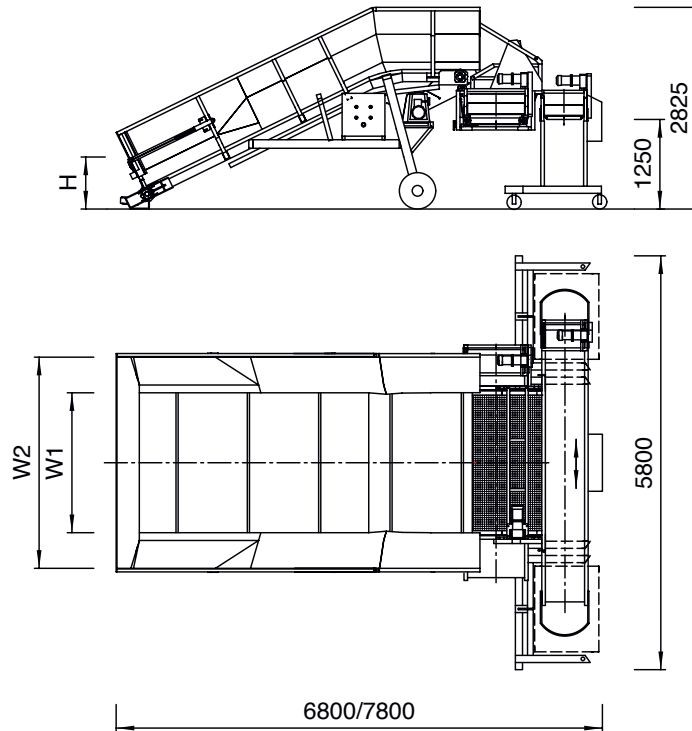
RH 2700 with beltgrader and soilextractor.

The Receiving Hopper is built for side and/or backtipping. RH 2000/2700 are used for fast unloading by backtipping. Mod RH 12 S is used for sidetipping. The Receiving Hopper can be equipped

with soilextractors and automatic boxfillers. It can also be connected to a bulk storage intake line.



RH 2000 BF with soil extractor and boxfiller.



	RH 2000	RH 2700
Cap t/h	2 – 60	2 – 120
L mm	5000	6000
W1, belt mm	2000	2700
W2, infeed mm	3000	3000
H infeed mm	600 – 900	600 – 900
Motor	Variable speed	Variable speed
Electrical connections	Complete	Complete

The automatic boxfiller is equipped with fallbreakers and automatically reversing conveyor belt when a box is filled. Sensors for "filled box" and "box in place". As standard equipment the Receiving Hopper has

a tipping device with spring back system to fit different trailers. For optimal fitting the Receiving Hopper can be equipped with pneumatically adjustable tipping device for in-out and up-down. Mod RH 2000 is as

standard equipped with wheels and towing hook. All tipp surfaces are covered with soft rubber lining. For optimum flow control the Receiving Hopper can be equipped with ultrasonic system.

Soilextractor.
Boxfiller.
Adjustable tipp device.
Electronic flow control.

Återförsäljare: