

## Hopper H FMC

For intake of potatoes, onions, carrots etc



H F10MC

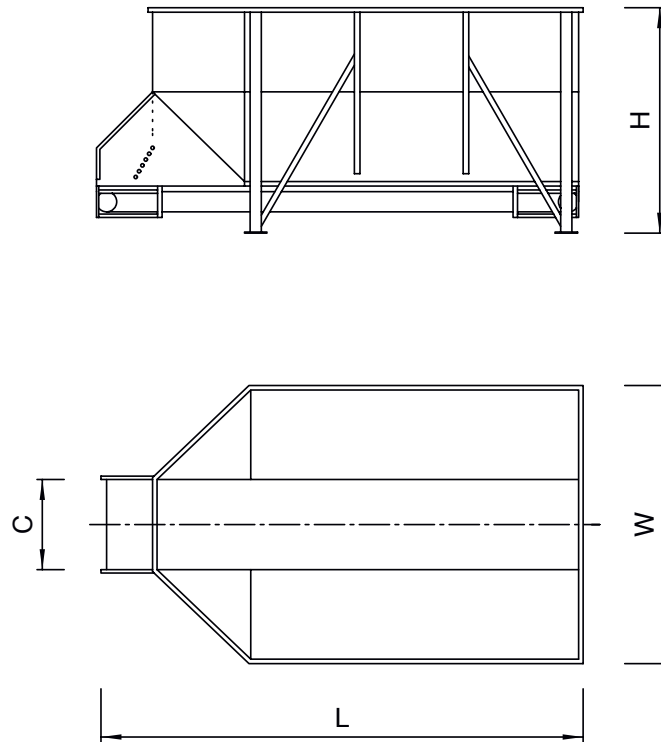
The hopper is intended for intake of products before they are processed further. It is available in a wide range of different sizes, and has a lining of shock-absorbent rubber to give careful handle.

The hopper is mounted on a variable speed conveyor, making it simple to adjust the rate of flow to the capacity of the receiving system. Output is also mechanically adjustable.



H F5MC

## H FMC



Tömningsbunge	H F5MC	H F10MC	H F20MC	H F30MC
Volume, m <sup>3</sup>	5	10	20	30
External width (W), mm	2250	2500	as required	as required
External length (L), mm	3400	4400	as required	as required
Overall height (H), mm	2000	2000	as required	as required
Elevator	C 550x3300	C 800x4300	as required	as required
Variator output, kW	0,55	0,55	as required	as required
Electrical connections.....				option

Hoppers are available in a wide range of different versions to provide an optimum match to individual requirements. Larger versions can be supplied with adjustable

output hatches and internal partitions. Hoppers can be filled from box turners or elevators using fall breakers.

Hoppers can be fitted with automatic level control for monitoring the extent of filling.

Electrical connections  
 Remote-controlled bottom conveyor  
 Automatic level control  
 Fall breaker FB F  
 Version in stainless steel  
 Versions in other designs on request

Återförsäljare: