

Fall Breaker FB G

For sensitive filling of boxes with potatoes, carrots etc.



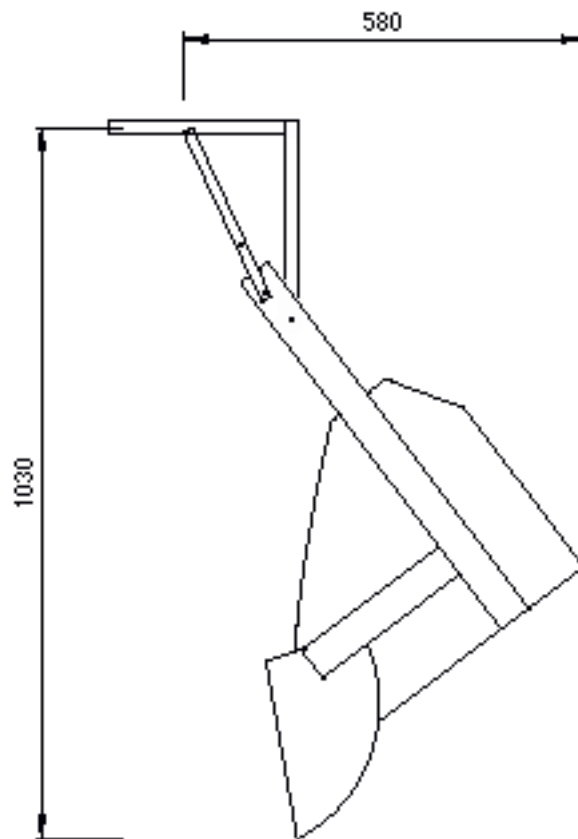
FB Gas fall breaker mounted on a conveyor with hopper.

The fall breaker is designed for mounting at the junction between conveyor and box, to break the fall of potatoes, carrots or other vegetables so that they are not damaged. The fall breaker is directed into the box by hand. Fall is broken by a titanium screen fitted on a steel arch, journalled in

ball bearings at the pivotal point. When a box is approximately half full, the fall breaker lifts automatically so that the box can be filled completely. The lifting movement is continuously adjustable.



FB Gas fall breaker in raised position.



Connections no electrical or pneumatic connections required

Available in various widths depending on box dimensions, capacity etc. Gascylinder can be replaced with a pneumatic cylinder for fullautomatic use.

Storage funnel with gate
Available in stainless steel

Återförsäljare: