

Drying Machine WE DM

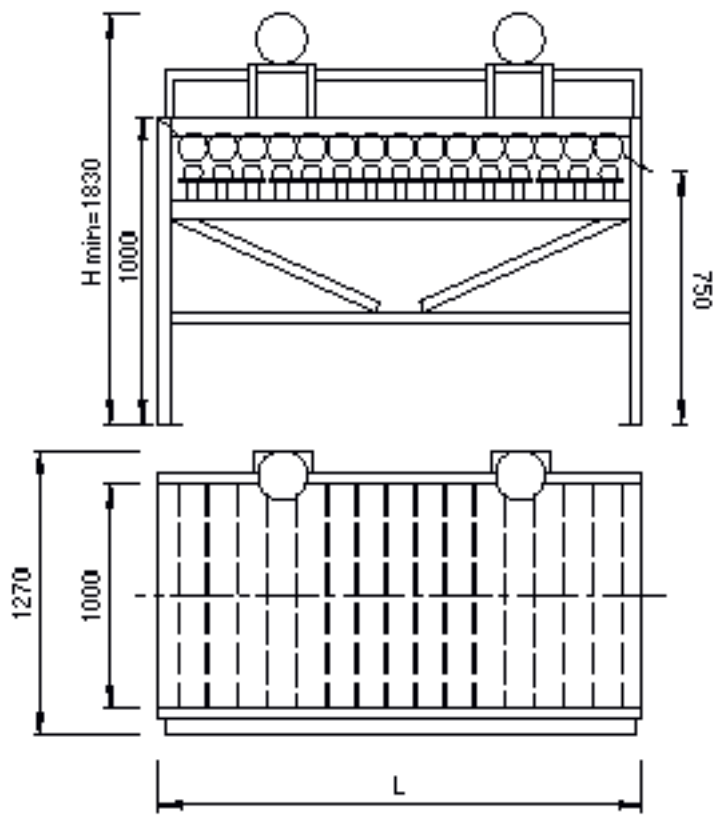
For drying potatoes etc after washing



WE DM1000x10 drying machine with 10 drying rollers

Drying machines are available in two different standard versions, with 10 and 15 drying rollers respectively, to handle different degrees of drying and capacities. The water is soaked up from the products by rollers coated with felted cloth. Under each roller there is an adjustable pressure roller with a scraper rail to deal

with water as it runs off. There is a collecting trough under the scraper rails, with a hose connection to a drain. All rollers are journalled in ball bearings. The machine is fitted with hatches that can be opened for cleaning and maintenance purposes.



WE DM1000x10

WE DM1000x15

Capacity t/h	5	5-10
Length(L), mm	1500	2200
Drying rollers	10	15
Drive unit: 1,5 kW geared motors	1	2
Electrical connections.....		option

Having a large number of rollers improves drying capacity. Where a high level of drying is required, a machine with 15 drying rollers is recommended. Waste water can be recirculated to the washer.

Available in stainless steel
 Alternative number of rollers or alternative widths to individual specifications
 Waste water pump.

Återförsäljare: