

## Belt Grader G B

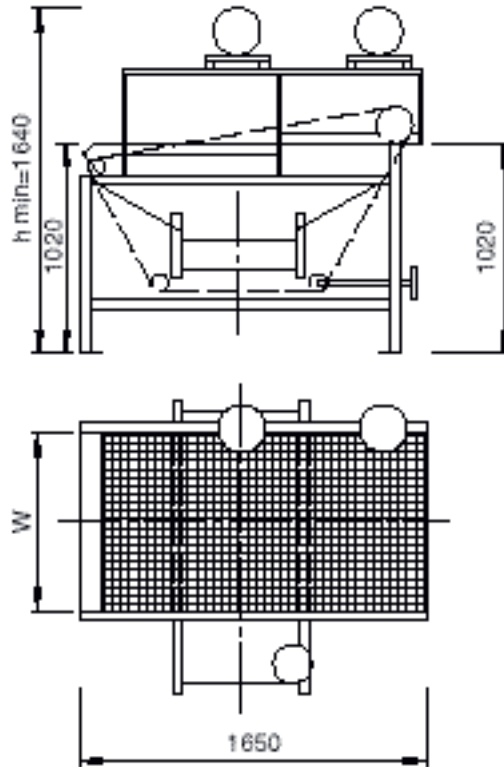
For grading potatoes, onions, beet root etc.



G B1200 belt grader with conveyor

G B600 - B2700 belt graders are designed for grading potatoes, onions, beetroot and other similar products into two sizes. They are available in six different widths, to meet varying capacity requirements. Grading is with the help of an endless net belt. Under the belt

are two agitators that shake the net, to ensure that the product is correctly graded. Belt and agitator speeds can be set independently of each other. The fact that the riddle surface is a full 1500 mm long guarantees very high grading precision. Output is via a conveyor or chute.



	G B600	G B800	G B1200	G B1500	G B2000	G B2700
Capacity in t/h (potatoes)	3-5	5-8	10-12	15-20	25-40	35-100
Width (W) in mm	600	800	1200	1500	2000	2700
Riddle surface in mm	600x1500	800x1500	1200x1500	1500x1500	2000x1500	2700x1500
Riddle length in mm	4100	4100	4100	4100	4100	4100
Drive unit	2 electric motors with variators					
Electrical connections	option					

Nets are manufactured with meshes to customers' individual specifications.

Where grading into more than two sizes is required it is a simple matter to connect the net grader to a further unit or units.

Grading can be bypassed by covering the riddle with a mat.

All versions can be combined with EMVE conveyors for output purposes. Chute output is available with versions B600 and B800 only.

The agitators under the net consist of sensitive rubber rollers that also keep the riddle clean. The nobby rubber surface of the drive drum ensures that the net remains clean even when very dirty products are being graded.

- Electrical connections
- Fall breaker for loading into boxes
- Output funnels with fallbreakers
- Bypass mat
- High leg unit and platform
- Version in stainless steel

Återförsäljare: